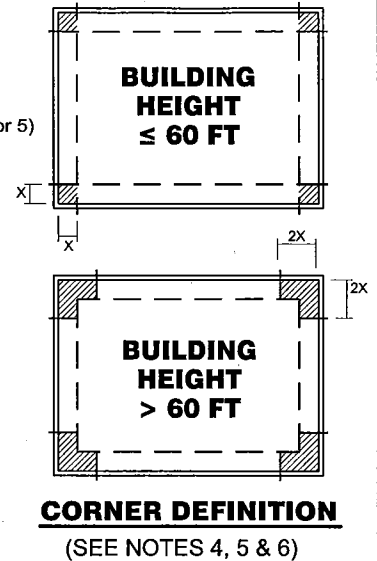
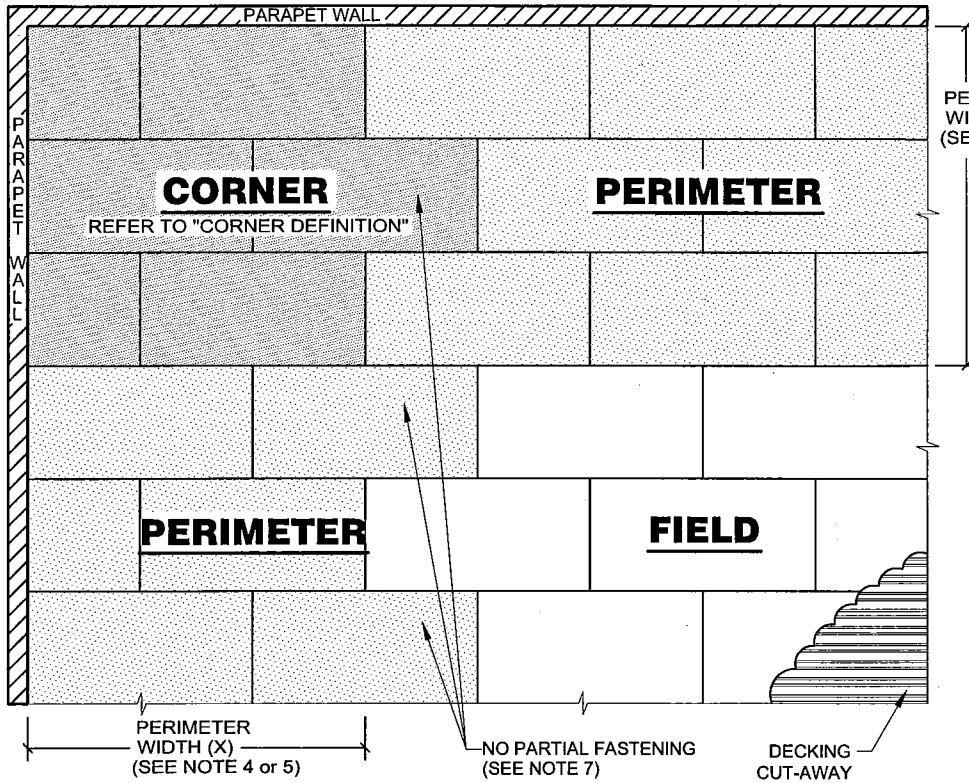
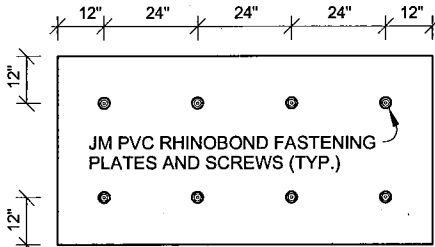


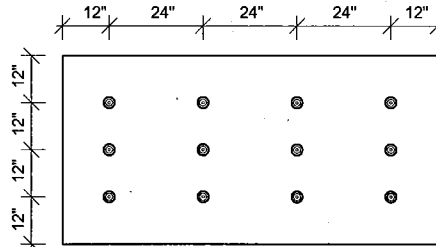
BOARD LAYOUT



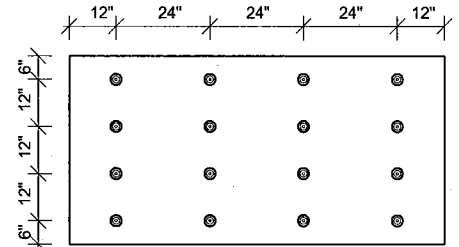
FASTENING PATTERNS for 4' x 8' INSULATION BOARDS



FIELD
8 FASTENERS/BOARD



PERIMETER
12 FASTENERS/BOARD



CORNER
16 FASTENERS/BOARD

UPLIFT NOTES

- CALCULATE UPLIFT DESIGN PRESSURES IN ACCORDANCE WITH ASCE-7.
- FASTENING DIAGRAM IS BASED ON FM GLOBAL DATA SHEET 1-29.
- INSTALL INSULATION WITH LONG JOINTS IN A CONTINUOUS STRAIGHT LINE WITH END JOINTS STAGGERED.
- ROOF HEIGHT \leq 60 FT, THE PERIMETER (X) IS THE SMALLER DIMENSION OF:
10% OF THE SHORTEST SIDE (PLAN VIEW)
OR
40% OF THE ROOF HEIGHT,
BUT
NOT LESS THAN 4% OF THE SHORTEST SIDE (PLAN VIEW) OR 3 FEET.
- ROOF HEIGHT > 60 FT, THE PERIMETER (X) IS:
10% OF THE SHORTEST SIDE (PLAN VIEW) BUT NOT LESS THAN 3 FEET.
- THE CORNERS MAY BE TREATED AS PERIMETERS IF THE PARAPET IS GREATER THAN OR EQUAL TO 3 FT ON ALL SIDES ACCORDING TO ASCE-7.
- IF ANY PORTION OF THE BOARD LIES IN A PERIMETER OR CORNER ZONE, ENHANCE THE FASTENING OF ENTIRE BOARD.

GENERAL NOTES

- JM PVC MEMBRANE IS HEAT WELDED TO RHINOBOND PLATES USING THE RHINOBOND TOOL.
- ALL FASTENERS MUST PENETRATE HIGH RIB OF DECK.
- THE ABOVE FASTENING PATTERN ASSUMES THE PULLOUT TESTS ON FASTENERS ACHIEVE A 480 POUND PULLOUT VALUE.

JM PVC RHINOBOND FASTENING SYSTEM (8-12-16)

DRAWING NO.

PRH-8

SCALE
N.T.S

ISSUE DATE
11th MAR 08

REV. NO.
4

CAD FILE:
BOARD FASTENING PVC RHINO 8-12-16.dwg

Johns Manville is a Manufacturer of commercial roofing products and offers this general conceptual information to you as a courtesy. This complimentary assistance is not to be used or relied upon by anyone as a substitute for professional engineering design and documentation required by building code, contract, or applicable law. By accepting these comments you agree they do not constitute any representations, endorsements of, or an assumption by Johns Manville of any liability for either the adequacy of the design of this building or any other material not supplied by Johns Manville.

