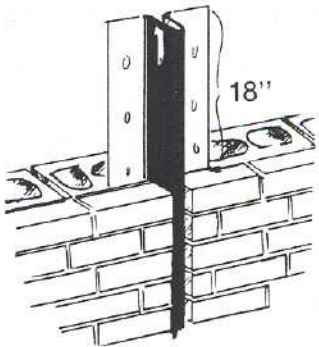


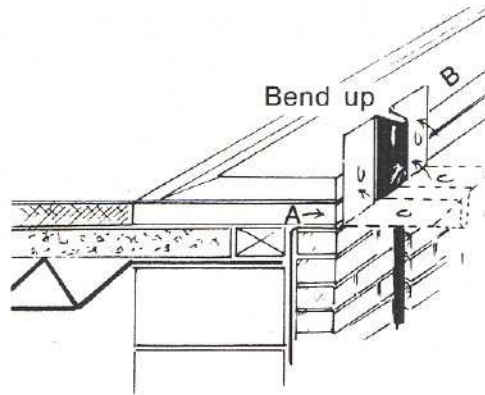


Johns Manville

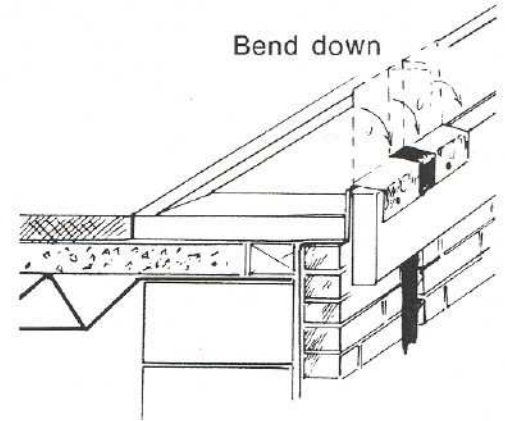
Installation Instructions for Expand-O-Gard® WS (Waterstop) Masonry Wall Expansion Joints



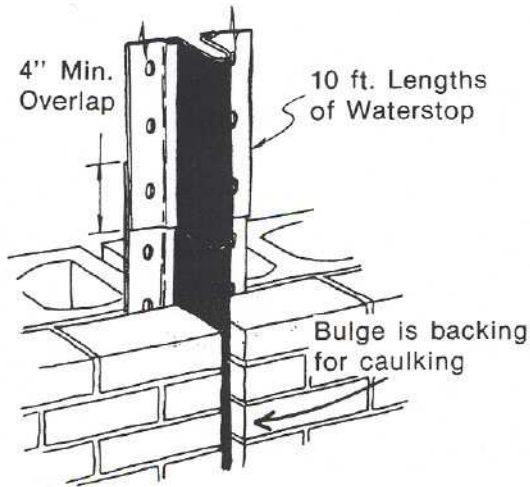
Step 1
Cut waterstop 18" longer than the top of the wall to allow for plate, perimeter and fascia.



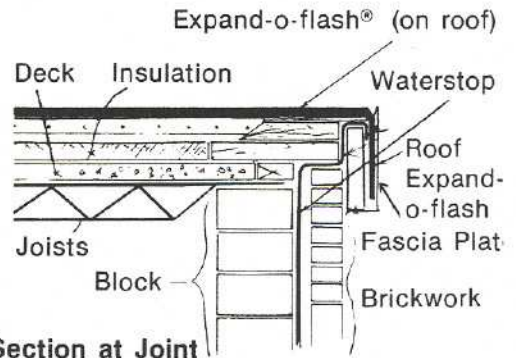
Step 2
Bend out (towards wall — see A) at top of masonry. After plate and perimeter are installed, bend vertically as shown here (at B).



Step 3
Install fascia and bend over and down — Nail in place.

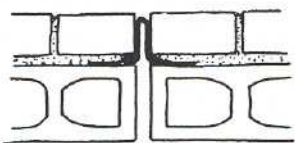


Waterstop is installed in masonry walls, using overlapping 10 ft. lengths. Flange perforations bond to mortar — the Rubber Bellows forms a deep U (extending close to the face of the wall) that provides a backing for caulking.

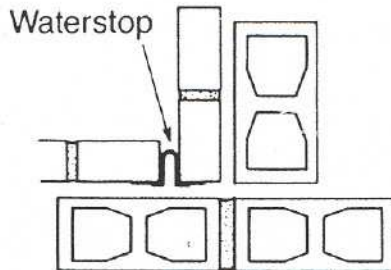


Section at Joint

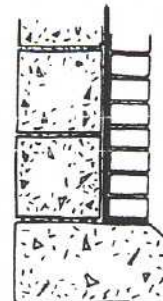
Front Elevation



Plan



Corner Plan



Section



Johns Manville

P.O. Box 5108 Denver, CO 80217-5108

11/98