

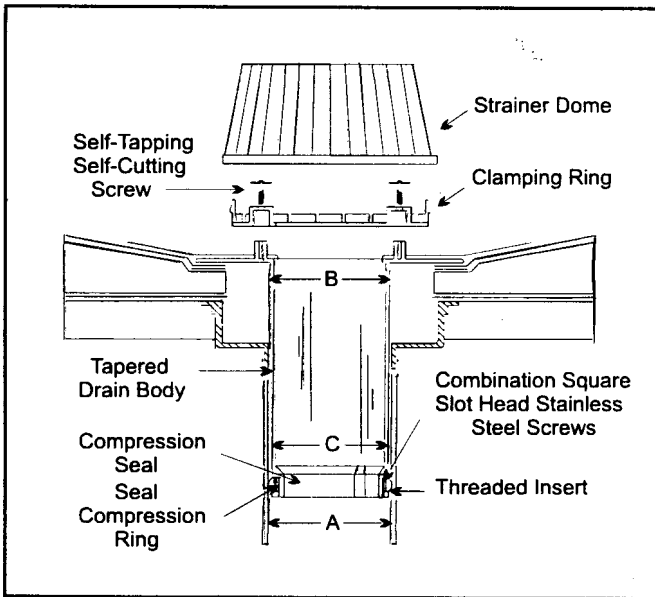
For Use With:

All membrane types.

Job Preparation:

1. Remove existing strainer dome and clamping ring.
2. Remove other existing drain components as required to enable RetroDrain flange to lie flush with roof membrane.
(In cases of a conversion to an inverted roof assembly, breaking off the existing drain bowl at deck height may be required.)
3. Remove any debris or constricting material that may have built up on the interior of the existing drain pipe which would interfere with proper installation of the RetroDrain.

Johns Manville PC/PET RetroDrain Parts Description:



Model Selection Chart:

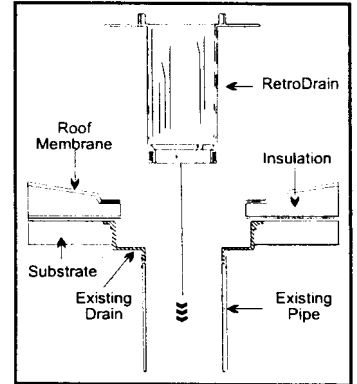
To fit existing Schedule 40 Pipes (I.D.) - A	PC/PET RetroDrain Model No.	PC/PET RetroDrain (O.D.) - B	PC/PET RetroDrain (O.D.) - C
3"	RD3	3"	2.8"
4"	RD4	4"	3.8"
5"	RD5	5"	4.8"
6"	RD6	6"	5.8"

Maintenance:

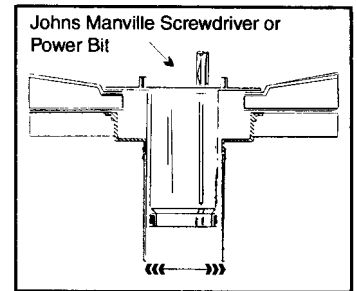
Debris should be regularly removed from strainer dome area to prevent excessive water build-up on the roof. No other maintenance is required.

Installation Steps:

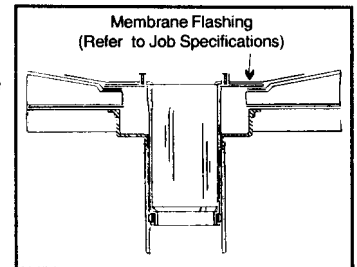
1. Insert RetroDrain drain body down into existing drain pipe until flange is flush with roof membrane.



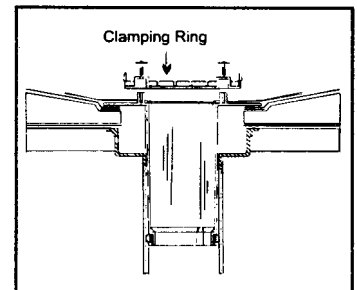
2. Alternately tighten seal compression screws with Johns Manville Screwdriver or Johns Manville Power Bit until hand tight. RetroDrain body is correctly installed when pressure placed on drain body results in no verticle movement. Care must be taken not to over-drive screws.



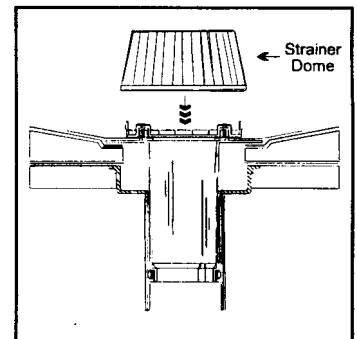
3. Punch holes in the flashing membrane for accurate positioning over clamping ring post using the Johns Manville Template and Johns Manville Hole Punch. Flash in the Retro Drain flange as per roof membrane manufacturer's installation detail.



4. Place clamping ring over posts. Install 6 screws to tighten clamping ring against membrane flashing until secure.



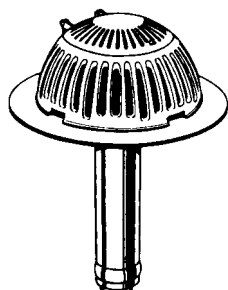
5. Install strainer dome by aligning the slots in the bottom ring of the strainer dome with the tabs on the clamping ring. Simply push strainer dome onto the clamping ring tabs until they snap into place.



Roof Drains

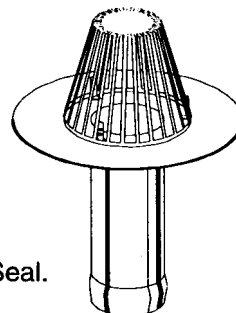
Johns Manville Super Dome RetroDrain

A PC/PET drain body with 14" flange, complete with PC/PET clamping ring, integral Johns Manville Seal, heavy duty vandal proof, cast aluminum strainer dome. Features a serviceable screw-down hatch.



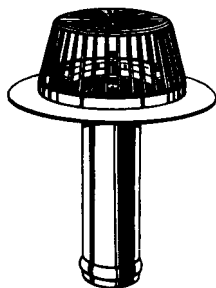
Johns Manville US-II RetroDrain with Aluminum Dome

One piece spun aluminum drain with 17 1/2" flange, complete with cast aluminum strainer dome and the unique Johns Manville Seal.



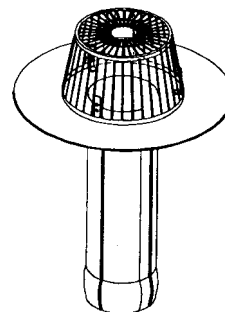
Johns Manville PC/PET RetroDrain

One piece injection molded PC/PET drain with 14" flange, complete with PC/PET clamping ring, PC/PET strainer dome and integral Johns Manville Seal.



Johns Manville US-II RetroDrain with PC/PET Dome

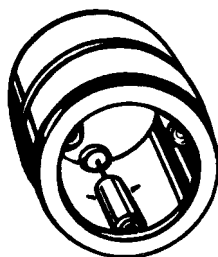
One piece spun Aluminum drain with 17 1/2" flange, complete with PC/PET strainer dome and the unique Johns Manville Seal.



Accessories And Installation Aids

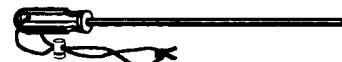
Johns Manville Seal

For use with other insert type drains and to shorten the Johns Manville PC/PET RetroDrain to create a positive watertight connection.



Johns Manville Screwdriver

Extra long screwdriver fitted with a square socket tip for tightening the special recess-head screws in the RetroDrain. 13" shaft for easy installation. Comes complete with loss-prevention cord.



Johns Manville Hole Punch

Hole cutter used to punch holes in flashing membranes to allow for positioning the flashing over the clamping ring posts.



Johns Manville Power Bit

Extra long 13" steel power bit fitted with a square socket tip for tightening the special recess-head screws in the RetroDrain.



For more information, please call:

(207)-784-0123 (inside Maine)

1-(800)-445-1500 (Outside Maine, including Canada)

Fax: (207)-784-0125