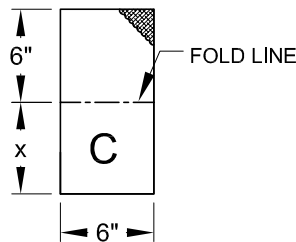
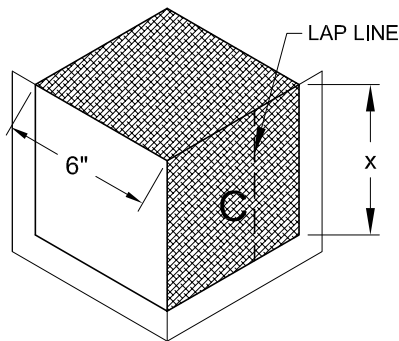


STEP A CORNER REINFORCEMENT

STEP B WALL TRANSITION



NOTES:

- A. USE SCRIM DETAIL IN CONJUNCTION WITH THE PERMAFLASH LAYOUT DRAWING, PMF-4.
- B. EMBED ALL PRE-CUT SCRIM INTO A FULL WET BASE COAT OF MBR FLASHING CEMENT. ALLOW EACH COAT TO FULLY CURE BEFORE APPLICATION OF SUBSEQUENT COATS.
- C. ENCAPSULATE ALL SCRIM COMPLETELY WITH A MINIMUM OF A 60 MIL COVERING.
- D. ALL FOLD LINES REPRESENTED AS -----, AND ALL CUT LINES REPRESENTED AS
- E. JM RECOMMENDS DIMENSION "x" TO BE AT LEAST 6", BUT VARIATION IS ALLOWED FOR LOWER THRESHOLDS.

STEP C WALL REINFORCEMENT

PERMAFLASH OUTSIDE CORNER SCRIM DETAIL (TOP)

DRAWING NO.

PMF-4Sa

SCALE
N.T.S

ISSUE DATE
23 FEB 07

REV. NO.
0

CAD FILE:
PMF_4Sa.dwg

J M
Project Design Mechanical Fastening



D E S I G N
Details Specs Sheet Layout Tapered Insulation Governing Codes Wind

