

## Adhered or Mechanically Fastened

### Description and Use

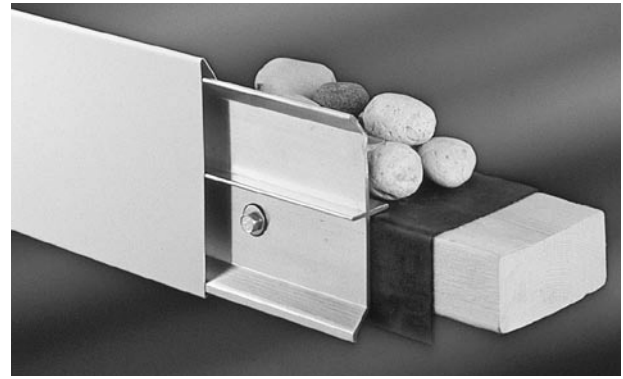
Presto-Tite Fascia provides single ply roof systems with maximum protection against wind uplift damage. Presto-Tite achieves pullout resistance in excess of 540 lb/ft (7,881 N/m) (SPRI Test Method RE-1) utilizing an extruded aluminum anchor bar and snap-on fascia cover. Fast, effortless installation eliminates “stripping-in” typical of many other roof edge designs. FM Global® certification insures exceeding industry standards for long-term, worry-free performance.



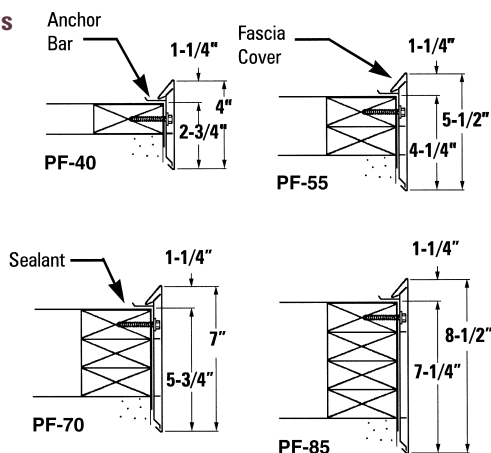
## Stone Ballast

### Description and Use

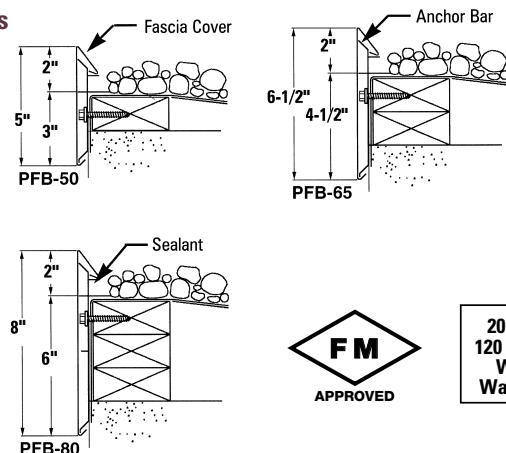
Presto-Tite is the most effective roof edge system available for stone ballasted single ply roof applications. The extruded aluminum anchor bar extends a full 2" (5.08 cm) above the roof line providing proper stone retention at the roof perimeter. Presto-Tite provides pullout resistance in excess of 540 lb/ft (7,881 N/m) (SPRI Test Method RE-1); minimizing roof edge damage due to extreme wind velocities. Vertical attachment of the anchor bar eliminates penetration of the membrane on the horizontal surface.



### Sizes



### Sizes



### Material Specifications

**Anchor Bars:** 12' (3.05 m) lengths, extruded from 6063-T6 alloy aluminum, preslotted 12" (30.48 cm) o.c.

**Fasteners (Furnished):** Corrosion resistant #12 x 1 1/8" (4.13 cm) fasteners with hexagonal head and driver bit furnished. Masonry fasteners available upon request.

**Snap-On Fascia Cover:** 12' (3.05 m) lengths available in 24 ga. (0.6 mm) steel with Kynar®\* 500 and .040" (1.02 mm) aluminum in mill, clear or color anodized and Kynar 500 finishes. Other metals and finishes available upon request. Fascia cover is factory “notched” to provide a 1" (2.54 cm) lap joint.

**Anchor Bar Splice Plates:** 0.025" (0.64 mm) mill aluminum with factory-applied closed cell compression gasket that allows for thermal movement of the fascia systems.

### Accessories

Factory-welded anchor bar corners, overflow and spillout scuppers, downspout sumps, radius and special angles, extenders and soffit clip systems are also available.

Refer to the Material Safety Data Sheet and product label prior to using this product.

\*Kynar® is a registered trademark of Arkema, Inc.