



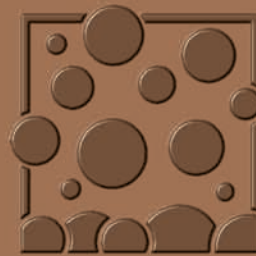
Defy the Elements



W A T E R



F I R E



H A I L



W I N D

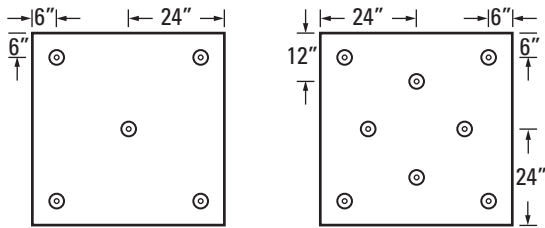
**Invinsa**<sup>TM</sup>  
Roof Board

Application Instructions/Codes

In fully adhered and mechanically attached systems, JM Invinsa™ roof board protects the insulation and works with the membrane to enhance the total system properties.

## Fastening Patterns

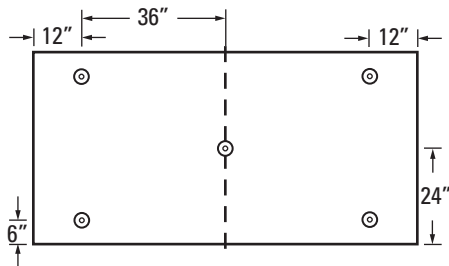
### 4' x 4' Boards



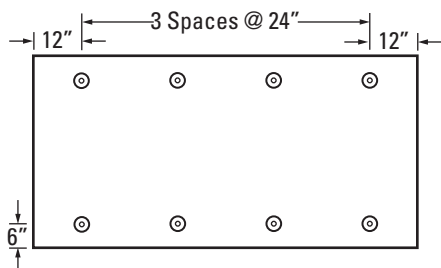
5 Fasteners/Board

8 Fasteners/Board

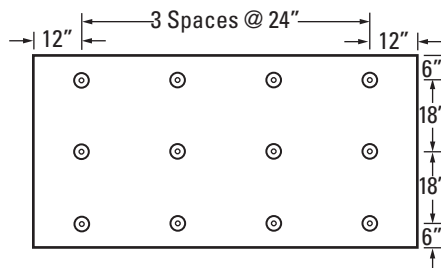
### 4' x 8' Boards



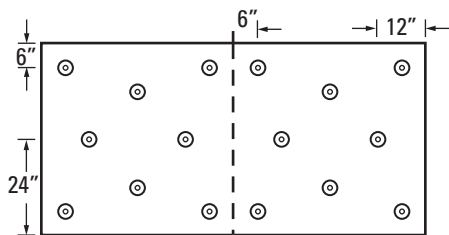
5 Fasteners/Board



8 Fasteners/Board



12 Fasteners/Board



16 Fasteners/Board  
(1 per 2 sq. ft.)

## Fully Adhered Systems

	Wind Uplift	Adhesive or # of Fasteners (4' x 8' board)
PVC	FM 1-75	UIA**
	FM 1-90	16
EPDM	FM 1-75	UIA**
	FM 1-75	8
	FM 1-90	16

## Mechanically Attached Systems

	Wind Uplift	Adhesive or # of Fasteners (4' x 8' board)
PVC	FM 1-60	5
	FM 1-90	5
	FM 1-120	5
TPO	FM 1-90	5
EPDM	FM 1-90	5
	FM 1-105	5

## Self Adhered Systems

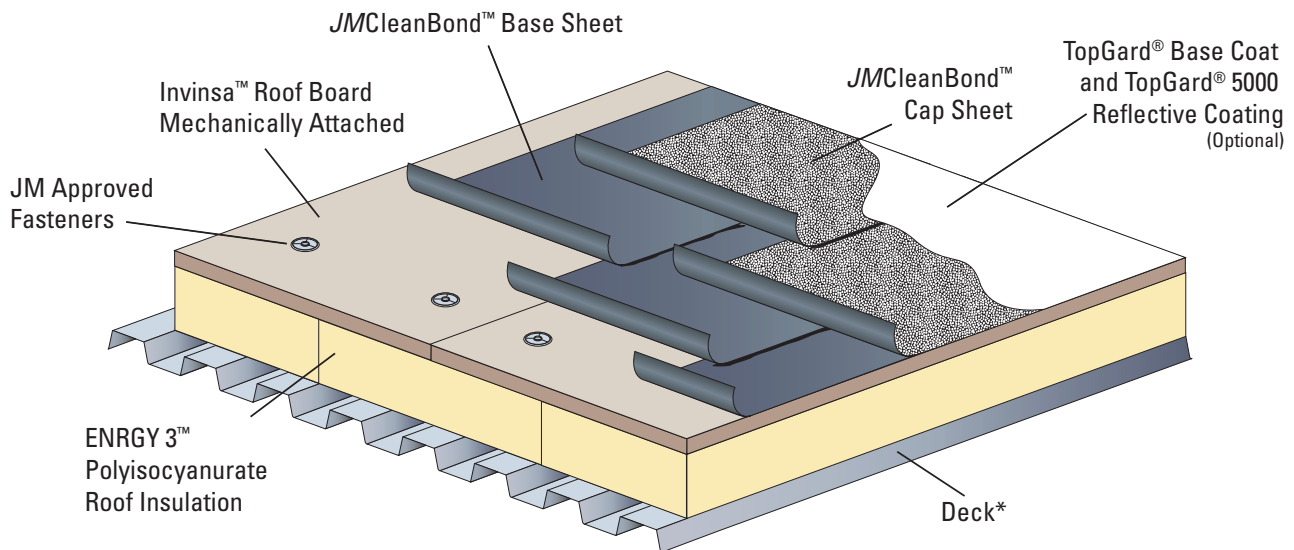
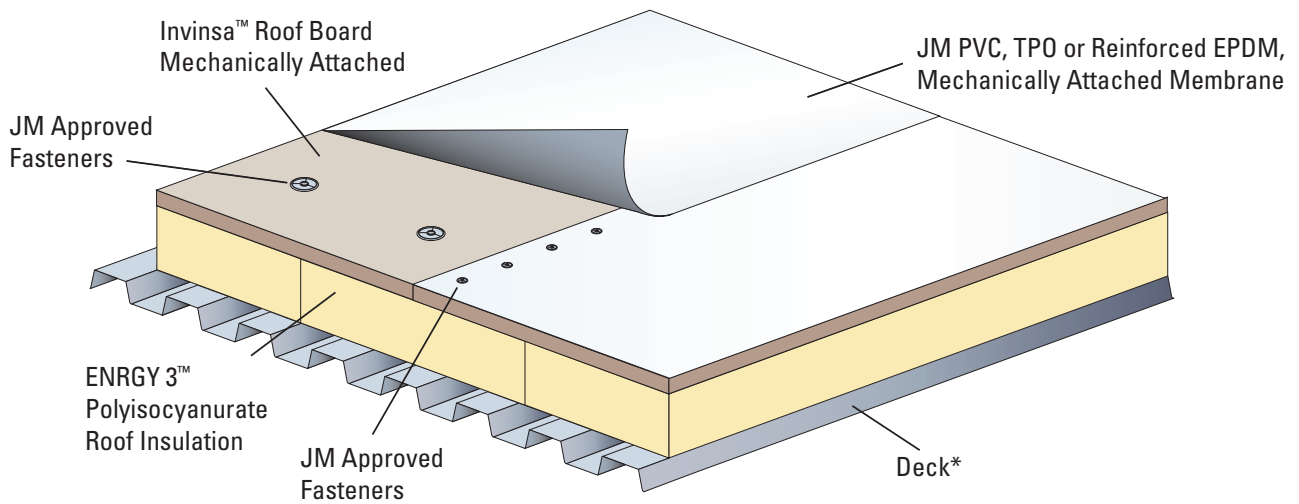
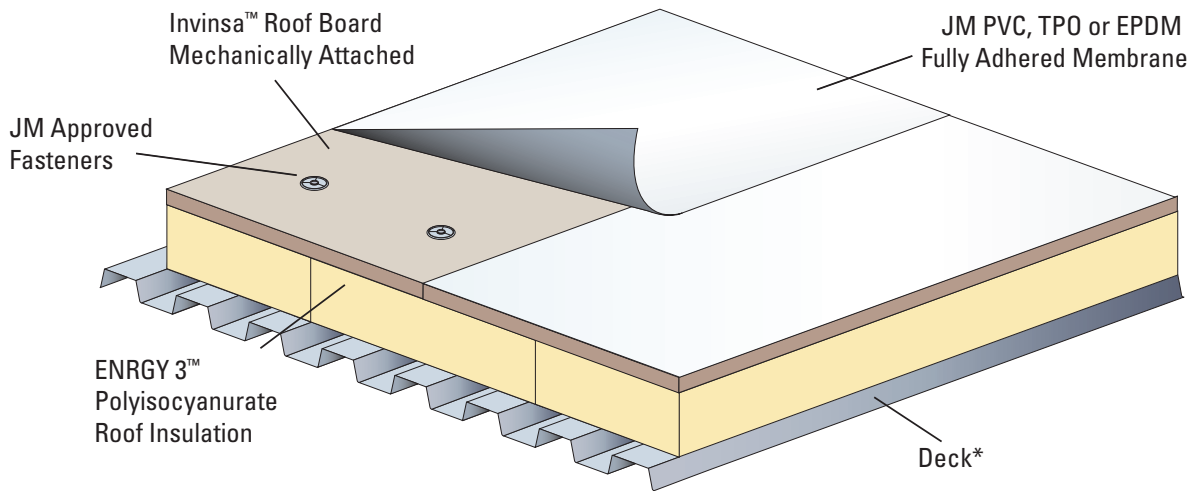
	Wind Uplift	Adhesive or # of Fasteners (4' x 8' board)
JM CleanBond™ Modified Bitumen System	FM 1-75	UIA**
	FM 1-75	16

\* JM Approved Decks

\*\* Using JM Urethane Insulation Adhesive (UIA) and 4' x 4' Invinsa roof board

See your JM sales representative for comprehensive approvals and installation details

**In fully adhered and mechanically attached systems, JM Invinsa™ roof board protects the insulation and works with the membrane to enhance the total system properties.**



## Product Information

The addition of Invinsa roof board to a PVC, TPO, EPDM or *JM*CleanBond™ roofing assembly increases the roof's resistance to damage from various sources, including but not limited to hail, foot traffic, construction loads, and normal roof maintenance. *JM* Invinsa roof board is engineered as an integral part of the roof system, providing a protective layer for the insulation below, and working with the membrane above to improve performance. Invinsa may be specified for new, reroof and recover applications.

## Guarantees

*JM* Invinsa roof board may be used in PVC, TPO, EPDM, and *JM*CleanBond™ self-adhering, modified bitumen roof systems. *JM* offers a wide variety of Roofing Systems Guarantees, including many 20-year No-Dollar-Limit (NDL) specifications which are available from NDL Approved Contractors only. Check with a *JM* Technical Service Specialist (800-922-5922) for the names of approved *JM* Peak Advantage Roofing Contractors in your area, as well as for details on NDL guarantees.

## Product Considerations

Invinsa roof board protects the insulation and works with the membrane both during installation and over the life of the roof. In order to perform these functions successfully, a roof board must have the following characteristics:

- High resistance to indentation, compression and crushing during installation of the roof system and during periodic maintenance, once the roof is completed
- Rigidity to support the roof membrane
- Increased resistance to moisture absorption
- Dimensional stability
- Compatibility with PVC, TPO, EPDM and self adhered roofing systems and attachment techniques
- Approvals for wind uplift, and pull-through of mechanical fasteners
- Acceptability by Underwriters Laboratories, FM Global and Code Agencies

## Installation Considerations

Roofing materials should not be left exposed to the weather. Apply only as much roof board as can be completely covered with the finished membrane on the same day.

Invinsa roof board is shipped covered with plastic shrouds which are intended to **temporarily** protect the material while in transit. All roofing materials should be stored on the jobsite with a weatherproof covering such as a tarpaulin. Factory packaging should not be relied upon as protection from the weather.

## Limitations

Invinsa roof board is not designed for use directly to a metal deck. It is for use over the isocyanurate foam insulation in a full system or over an existing roof for recover applications.

Invinsa should be properly protected from exposure to fire during storage, transit and application. Caution: it may not be installed in conjunction with hot applied or torched asphaltic systems.



## Roofing Systems Group

717 17th Street  
Denver, CO 80202  
800-654-3103  
303-978-2318 FAX  
[www.jm.com](http://www.jm.com)