

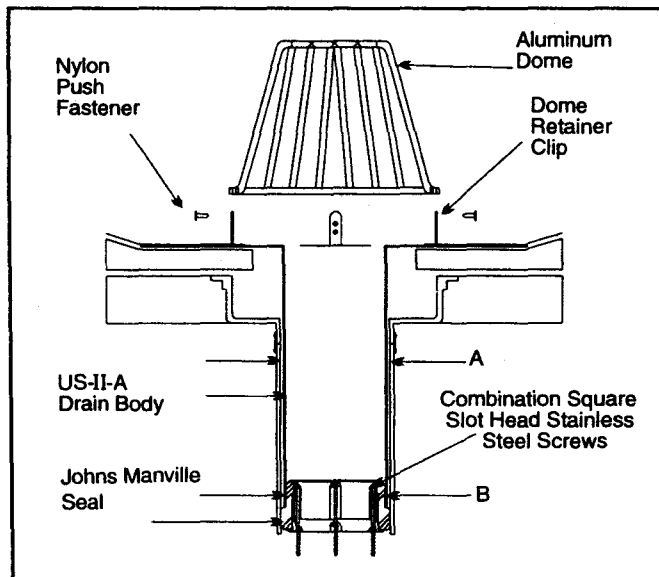
## For Use With:

BUR (except Coal Tar Pitch), Modified Bitumen, EPDM, Spray Foam, Metal & Rubberized Asphalt, roof membranes.

## Job Preparation:

1. Remove existing strainer dome and clamping ring.
2. Remove other existing drain components as required to enable US-II RetroDrain flange to lie flush with roof membrane.  
(In cases of a conversion to an inverted roof assembly, breaking off the existing drain bowl at deck height may be required.)
3. Remove any debris or constricting material that may have built up on the interior of the existing drain pipe which would interfere with proper installation of the US-II RetroDrain.

## Johns Manville US-II-A RetroDrain Parts Description:



## Model Selection Chart:

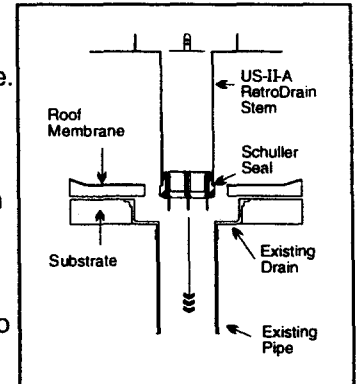
| To fit existing<br>Schedule 40 & 80 Pipes<br>(I.D.) - A | US-II-A<br>RetroDrain<br>Model No. | US-II-A<br>RetroDrain<br>(O.D.) - B |
|---|------------------------------------|-------------------------------------|
| 3"  | US-II3-A                           | 2.75"                               |
| 4"  | US-II4-A                           | 3.75"                               |
| 5"  | US-II5-A                           | 4.75"                               |
| 6"  | US-II6-A                           | 5.60"                               |

## Maintenance:

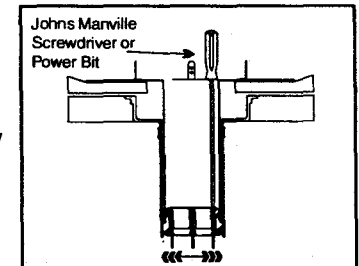
Debris should be regularly removed from strainer dome area to prevent excessive water build-up on the roof. No other maintenance is required.

## Installation Steps:

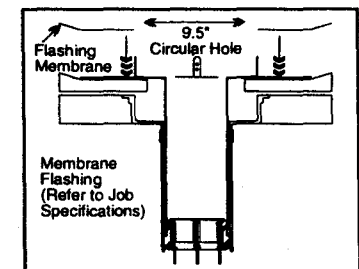
1. Examine existing drain pipe for an elbow which prevents the RetroDrain stem from being fully inserted into pipe. If elbow is present, cut stem of the Retro Drain to length that permits flange to lie flush on roof membrane. Insert Johns Manville Seal into bottom of US-II RetroDrain stem and tighten screws until seal expands and fits snug in the drain stem. Insert assembled US-II RetroDrain into existing pipe until flange is flush with roof membrane.



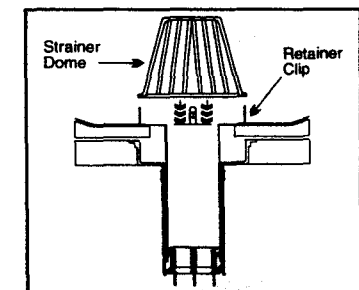
2. Alternately tighten seal compression screws with Johns Manville Screwdriver or Johns Manville Power Bit until hand tight. US-II RetroDrain body is correctly installed when pressure placed on drain body results in no vertical movement. Care must be taken not to over-drive screws.



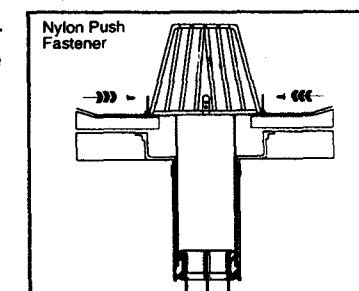
3. Flashing membrane is to be sized and installed as per roof membrane manufacturers installation detail. A 9.5" circular hole is to be cut out of the center of the flashing membrane to allow the membrane flashing to sit flush around the Strainer Dome Retainer Clips.



4. Place strainer dome over retainer clips.



5. Insert nylon push-fastener into appropriate height hole in each of the three retainer clips.



Installation is now complete.